

FULL EXTENSION SLIDE

LOAD CAPACITY
29-45kgf

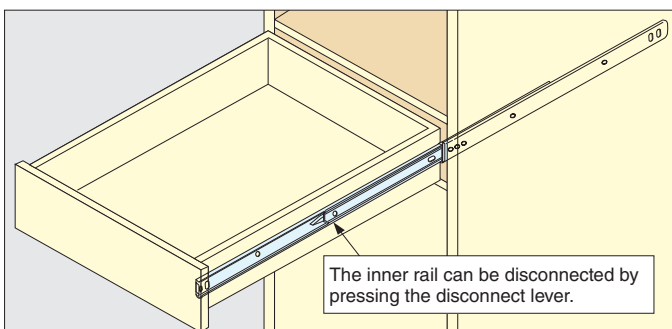
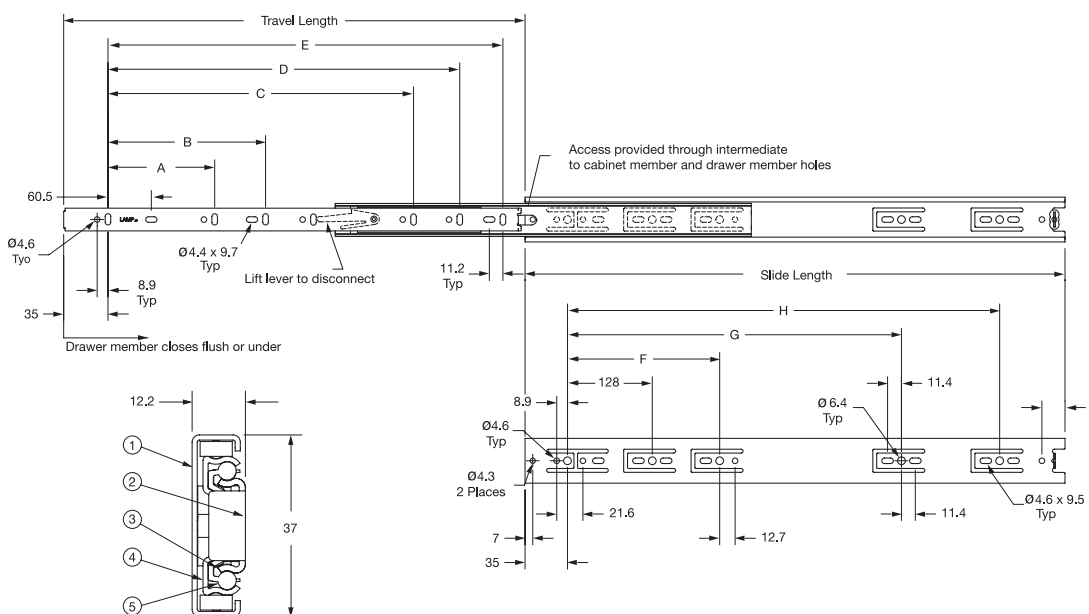
NO SCREW

STAINLESS
304
STEEL

ESR-3813



- Full extension.
- Front disconnect.
- Positive stop.
- Non-handed.
- Hold-in detent.
- * Sold in pairs.
- * Mount with M4 or #8 Binding, Pan, or Truss head screws.



Installation

No.	Part Name	Material
①	Outer Rail	304 Stainless Steel
②	Inner Rail	
③	Retainer	
④	Intermediate Member	
⑤	Balls	

Item Code	Item Name	Slide Length	Travel Length	A	B	C	D	E	F	G	H	I	Load Rating (pair)	Weight (pair)	Box
190-118-877	ESR-3813-8	200	200	—	128	—	—	142	—	—	—	—	45kgf	0.40kg	10pair
190-118-878	ESR-3813-10	250	243	192				42kgf					0.53kg	10pair	
190-118-879	ESR-3813-12	300	305	242				42kgf					0.63kg	10pair	
190-118-880	ESR-3813-14	350	355	292				38kgf					0.72kg	10pair	
190-118-881	ESR-3813-16	400	406	342				36kgf					0.81kg	10pair	
190-118-882	ESR-3813-18	450	457	392				34kgf					0.91kg	10pair	
190-118-883	ESR-3813-20	500	508	442				33kgf					1kg	10pair	
190-118-884	ESR-3813-22	550	559	416				31kgf					1.09kg	10pair	
190-118-885	ESR-3813-24	600	610	492				29kgf					1.18kg	10pair	
				542											