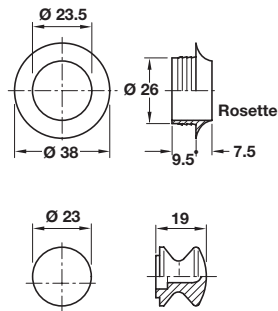


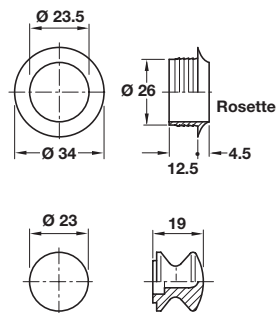
Push-Lock knob and rosette set, for 13 mm door thickness



- > If a 2 spindle lock is used an additional knob must be ordered
- > Plastic
- > Order qty: 1 pc

Finish	Cat. No.
Matt nickel-plated	229.01.604

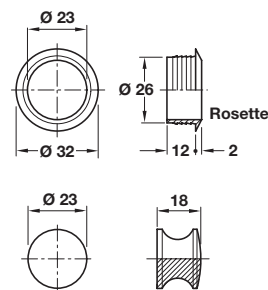
Push-Lock knob and rosette set, for 16 mm door thickness



- > If a 2 spindle lock is used an additional knob must be ordered
- > Plastic
- > Order qty: 1 pc

Finish	Cat. No.
Matt nickel-plated	229.01.613
Polished chrome-plated	229.01.210
Polished brass-plated	229.01.819
White	229.00.714

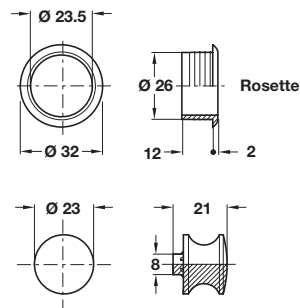
Push-Lock knob and rosette set, for 19 mm door thickness



- > If a 2 spindle lock is used an additional knob must be ordered
- > Plastic
- > Order qty: 1 pc

Finish	Cat. No.
Matt nickel-plated	229.01.622
Polished brass-plated	229.01.828

Push-Lock knob and rosette set, for 25 mm door thickness



- > If a 2 spindle lock is used an additional knob must be ordered
- > Plastic
- > Order qty: 1 pc

Finish	Cat. No.
Matt nickel-plated	229.01.640



For use with Push-Locks locks, shown on pages 78-79