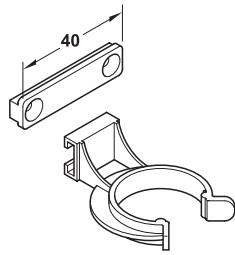


Häfele AXILO™ 78 plinth panel clips



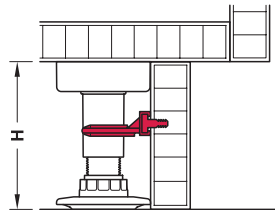
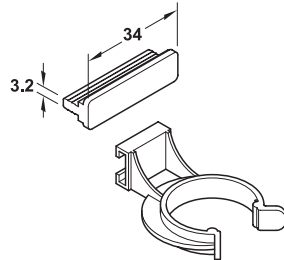
For screw fixing



- > For use from installation height 80 mm
- > For screw fixing or press fitting
- > Plastic
- > Order qty: Multiples of 100 pcs

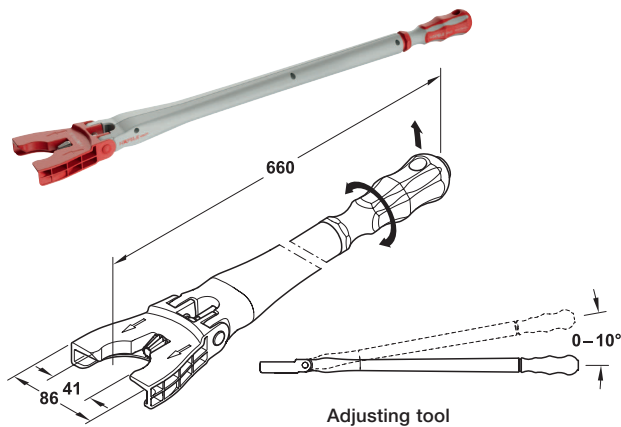


For press fitting



Installation	Cat. No.
Screw fixing	637.38.054
Press fitting	637.38.063

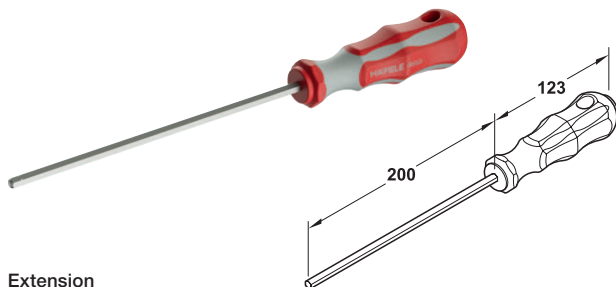
Häfele AXILO™ 78 adjusting tool



Adjusting tool



Adjusting tool handle end and extension with 1/4" chuck



Extension

- > For ergonomic and time saving height adjustment of AXILO™ plinth adjusting fitting system in the entire plinth area, also corner cabinets, for example
- > Height adjustment by rotating by hand or with electric tool
- > Adjustment angle height 0-10°
- > Chuck 1/4" bit supplied
- > Grey and red plastic with steel mechanism
- > Order qty: 1 pc

	Cat. No.
Adjusting tool	637.76.360
Extension	637.76.361

TCH TECHNOLOGY 2018, © Häfele U.K. Ltd 2018. Dimensional data not binding. We reserve the right to alter specifications without notice.