

FULL EXTENSION SLIDE

LOAD CAPACITY
29-45 kg
64-98 lbs

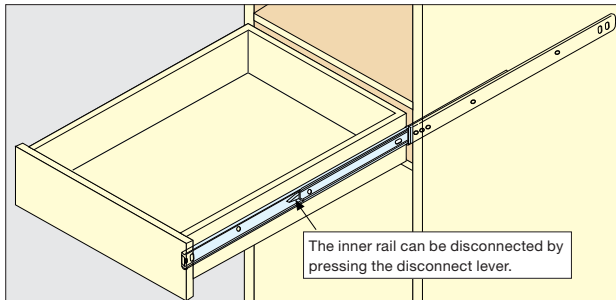
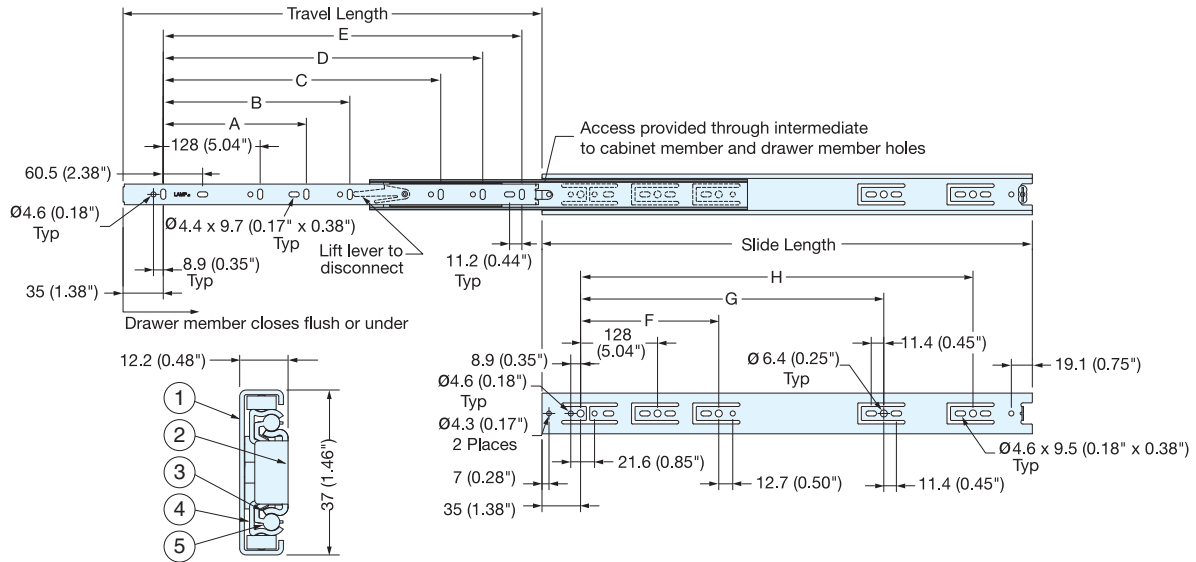
NO SCREW

STAINLESS
304
STEEL

ESR-3813

DRAWER SLIDES

STAINLESS STEEL SLIDES



Installation

- Full extension
- Front disconnect
- Positive stop
- Non-handed
- Hold-in detent
- Sold in pairs
- Mount with M4 or #8 Binding, Pan, or Truss head screws

25.4mm=1"

No.	Part	Material
①	Outer Rail	304 Stainless Steel
②	Inner Rail	
③	Retainer	
④	Intermediate Member	
⑤	Balls	

Item No.	Slide Length	Travel Length	A	B	C	D	E	F	G	H	Load Capacity (kg/pair)	Weight (g)	Box (Pair)
ESR-3813-8	200 (7-7/8")	200 (7-7/8")	-	-	-	-	142	-	-	-	45 (98 lbs)	400 (0.88 lbs)	10
ESR-3813-10	250 (9-27/32")	243 (9-9/16")	-	-	-	-	192	-	-	-	42 (92 lbs)	530 (1.19 lbs)	
ESR-3813-12	300 (11-13/16")	305 (12")	-	-	-	-	242	224	-	-	40 (88 lbs)	637 (1.40 lbs)	
ESR-3813-14	350 (13-25/32")	355 (14")	-	-	-	-	292	224	-	-	38 (84 lbs)	726 (1.60 lbs)	
ESR-3813-16	400 (15-3/4")	406 (16")	-	-	-	-	342	224	320	-	36 (79 lbs)	816 (1.80 lbs)	
ESR-3813-18	450 (17-23/32")	457 (18")	-	-	320	-	392	224	352	-	34 (75 lbs)	910 (2.00 lbs)	
ESR-3813-20	500 (19-11/16")	508 (20")	-	-	320	-	442	224	416	-	33 (73 lbs)	1000 (2.20 lbs)	
ESR-3813-22	550 (21-21/32")	559 (22")	-	-	320	416	492	224	352	448	31 (68 lbs)	1090 (2.40 lbs)	
ESR-3813-24	600 (23-5/8")	610 (24")	224	-	416	-	542	224	352	480	29 (64 lbs)	1180 (2.60 lbs)	